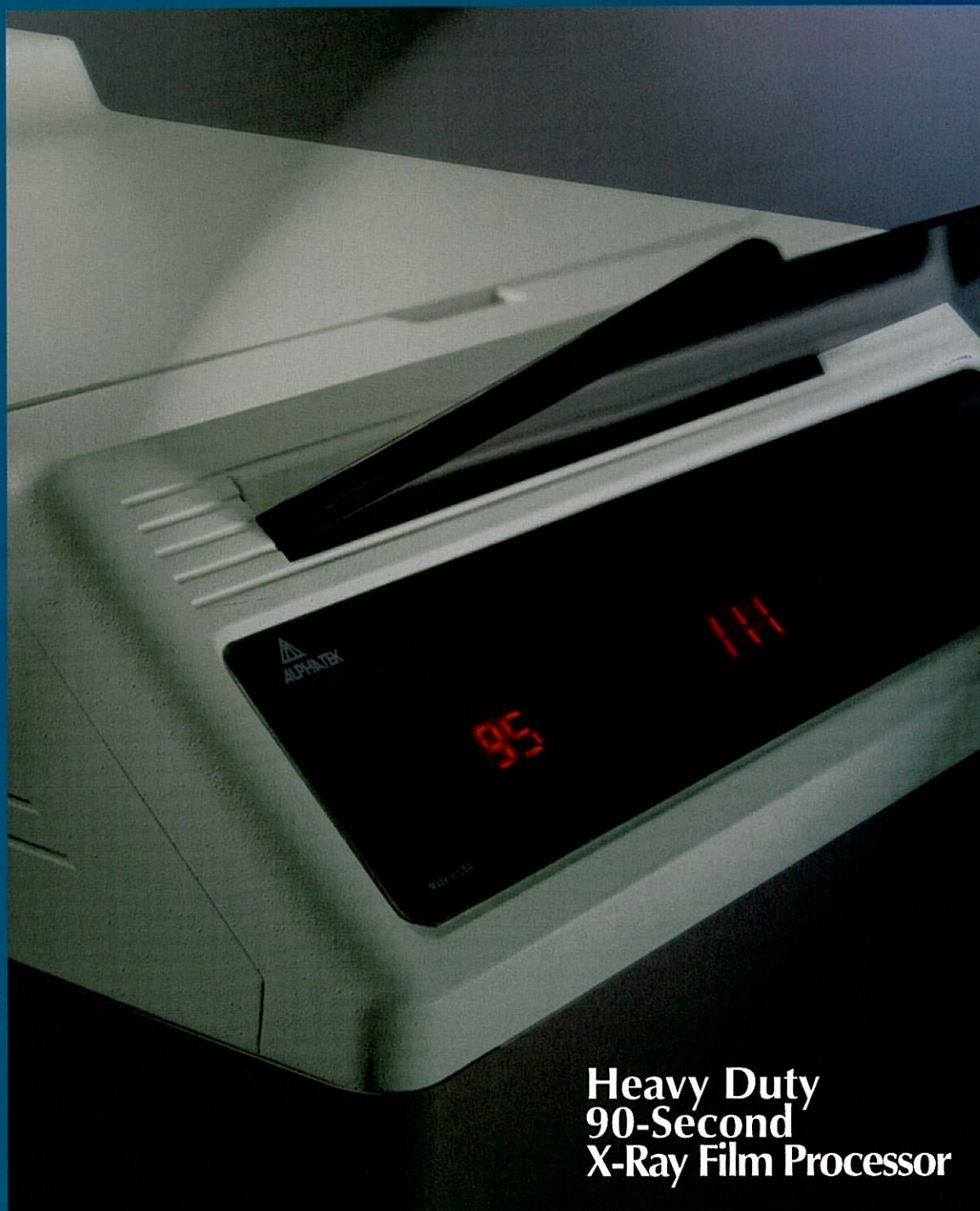


# AX 700LE Series



**Heavy Duty  
90-Second  
X-Ray Film Processor**

  
**ALPHATEK**

# AX 700LE Series

## ABOUT ALPHATEK

Alphatek has been manufacturing x-ray film processors for over 25 years. The company's mission is the design and production of high quality processors for use in private practices and clinics the world over. Compliance to ISO 9000 standards ensures customers of Alphatek's commitment to excellence in manufacturing.

## QUALITY AND RELIABILITY

Built for performance, the AX 700LE x-ray film processor provides crisp, beautifully finished radiographs in just 90 seconds. A modular, compact design makes the 700LE an integral part of any facility's asset management program.

The 700LE is designed with great emphasis on structural integrity. With stainless steel construction and a high impact composite exterior, the 700LE is both robust and attractive. Precision machined, friction-reducing roller bearings, matched with an oversized drive motor enable the 700LE to transport film effortlessly. This results in ease of operation, low maintenance, and extended product longevity.

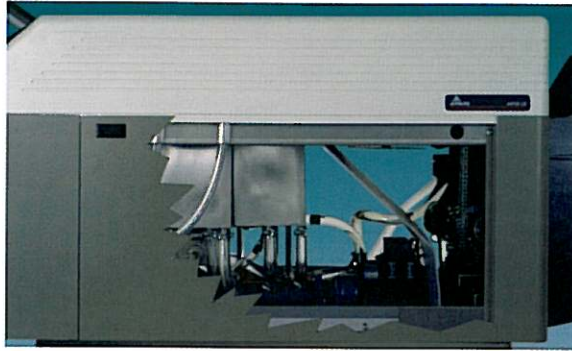


## 700LE Features

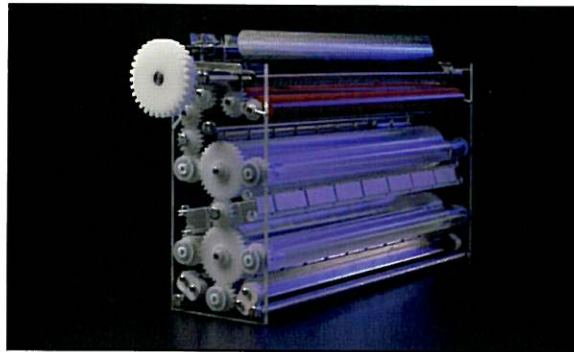
- Fully Microprocessor-Controlled
- Stainless Construction for Mechanical Strength
- Interchangeable Parts Ensure Cost-effective Operation and Maintenance
- Fixed Cross-over Guides to Eliminate Scratching
- Solid Rubber and Solid Acrylic Roller for Durability
- Modular Tank Design Simplifies Service
- Jam-Free Parallel Dryer Design Ensures Ease of Operation
- Films Feed in Less Than 20-Seconds
- Industrial Warm Air Dryer Ensures Crisp, Smooth Radiographs

## Available Special Options

- Double Speed 45-Second Processor (AX 745LE Model)
- Environmentally-friendly Chemical Closed-loop System
- Modular Design Permits Freestanding or "Through the Wall" Installation



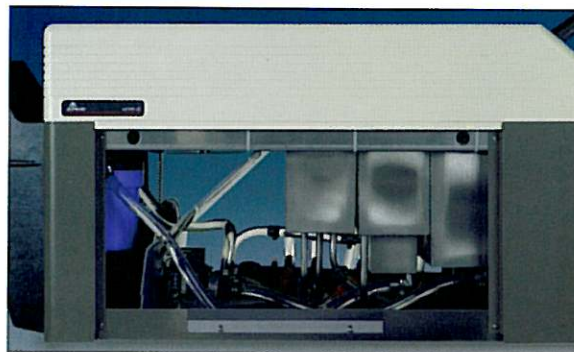
Full sized racks combined with deep tank design allow true 90-second processing without compromising image quality or requiring special film.



The exclusive roller design of the LE Series simplifies maintenance. A rigid roller composition of solid acrylic repels foreign matter, making routine maintenance easy. Interchangeable components are quickly replaced, simplifying service for enhanced economy.

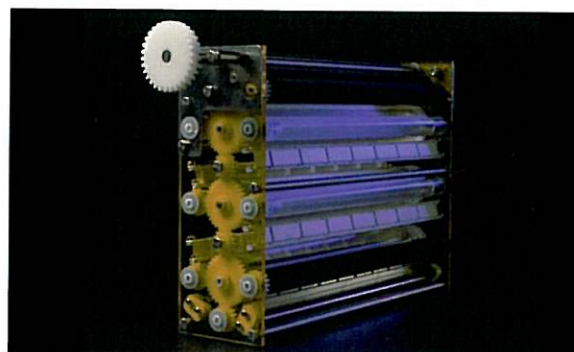


Durable, time-tested components ensure reliable operation of the AX 700LE. If processor adjustments are necessary, large removable panels simplify service.



A consistent chemical temperature and activity level enable highest contrast images through the

- thermal mass of a generous developer tank
- durable heater well
- full-sized developer filter
- large, oversized rack
- reliable replenishment pump



Exclusive gear and roller bearing design provides smooth, consistent operation. The result is the virtual elimination of roller complications, for sharp, clear radiographs.

## SPECIFICATIONS

### AX 700LE

The Alphatek AX 700LE is a 90-Second, microprocessor controlled, continuous roller, automatic film processor. Constructed with the highest quality components, and designed for ease of operation, the AX 700 LE is the choice for flexibility and cost-effectiveness.

Processing time 90 seconds (leading edge transport time)

Processing Capacity 51 in (129cm) per minute.  
Over 170 14 x 17 in (35 x 43 cm) films per hour

Dimensions Processor:  
height 21-1/8 in (53.6 cm)  
width 23 in. (58.4 cm)  
length 40-5/8 in (103.2 cm)  
Base:  
height 24 in (61 cm)

Water Consumption 1/2 gal (1.9 liters) per minute - processing  
1/4 gal (1 liter) per minute - stand by

Tank Capacities developer 2-3/4 gal (10.4 liters)  
fixer 1-3/4 gal ( 6.6 liters)  
wash 1-3/4 gal ( 6.6 liters)

Weight 250 lbs. (114 kg) - without fluids

Power Requirements 120 V, 20 A, 50/60 Hz single phase /  
240 V, 10 A, 50/60 Hz (optional)

Drain Requirements 4 gal (15 liters) per minute  
(required only when tanks are emptied during periodic maintenance).

### AX 745LE

The AX 745LE is a 45-second version of the AX 700LE. It requires a 45-second film and may require special chemistry for optimal performance. Consult film manufacturer for more information.

Processing time 45 seconds (leading edge transport time)

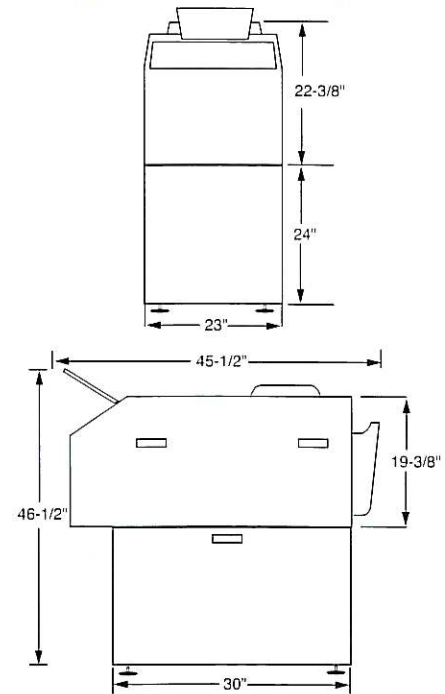
Processing Capacity 100 in (254cm) per minute.  
Over 360 14 x 17 in (35 x 43 cm) films per hour

All other specifications are similar to the AX 700LE

See Installation and Service Manual for more complete information.

(Specifications subject to change without notice)

## Through the Wall Options



## 2 Year Warranty

The Alphatek AX 700 LE Processor is warranted for a period of two years from the date of installation, for all parts, against defects in material and/or workmanship. Should any such defect appear during the warranty period, notify your Alphatek dealer.

This warranty is for parts only and not for labor. This warranty does not cover damage caused by accident, misuse or neglect.

This warranty is in lieu of, and supersedes all other representations, expressed or implied, by the manufacturer or any representatives.

This warranty is provided for the original purchaser and is not transferable.

This warranty is void if any service or reinstallation has been done by any person or persons who are not authorized Alphatek dealers.

**See Your Local Alphatek Dealer:**



2000 SOUTH 25TH AVENUE  
BROADVIEW, ILLINOIS  
708/ 345-0500 FAX: 708/ 345-3090